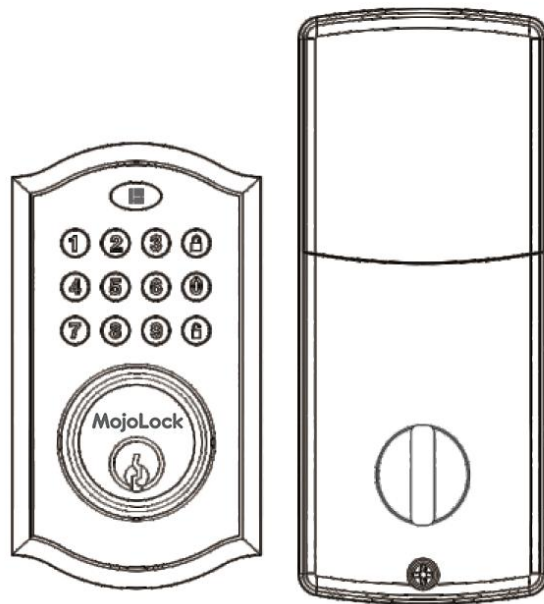
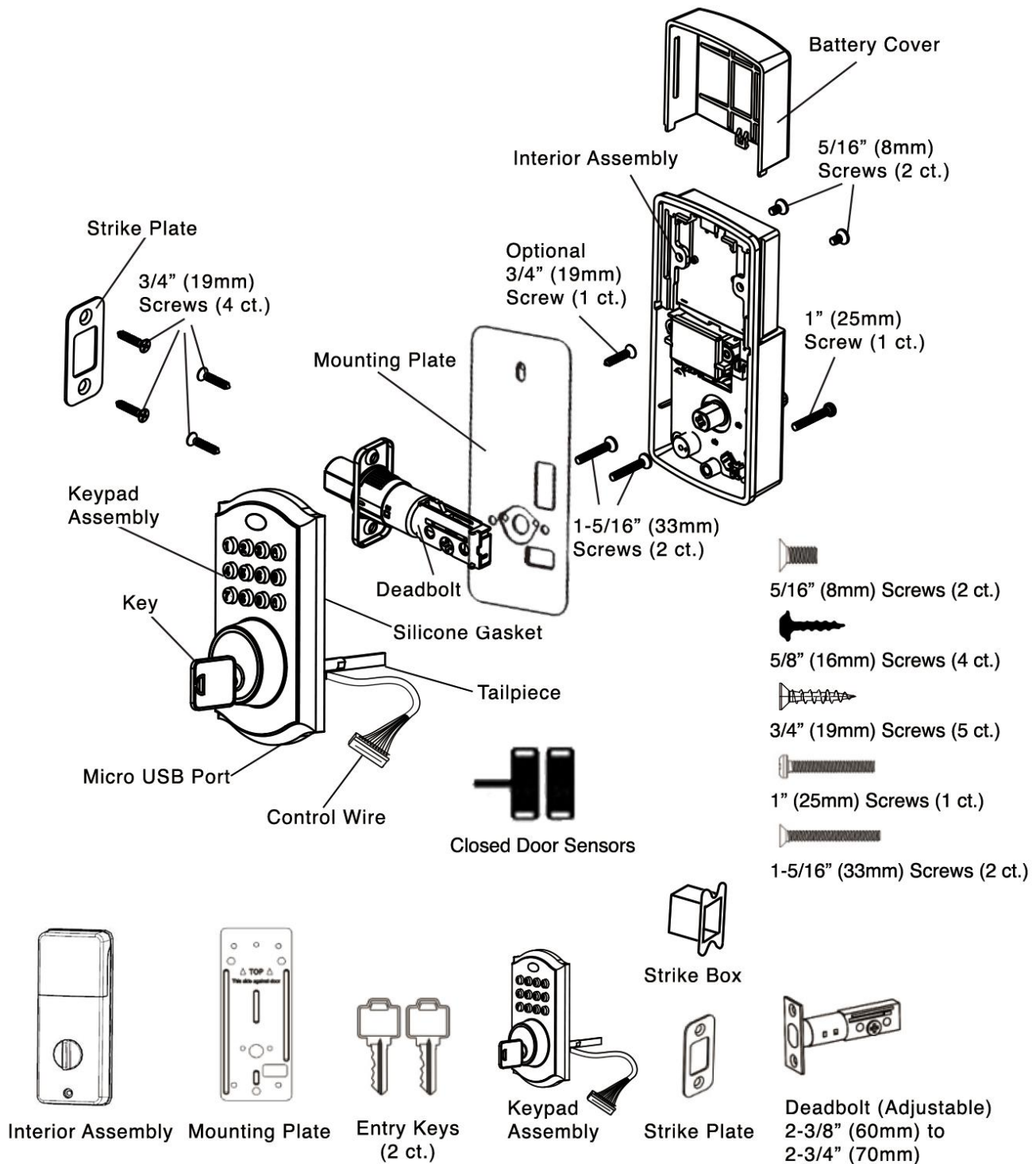


MojoLock

Installation Guide



Components List



Tools required for installation on pre-drilled doors:

- Phillips Screwdriver (DO NOT USE A POWER DRILL) 

Door Preparation for Undrilled Doors

If you are installing your new MojoLock on a door that does not have holes for a deadbolt, please refer to the **Prepare Door and Jamb** section located on **pages 20-21**.

This section includes a template for the placement of the holes and detailed instructions for the drilling of your door.

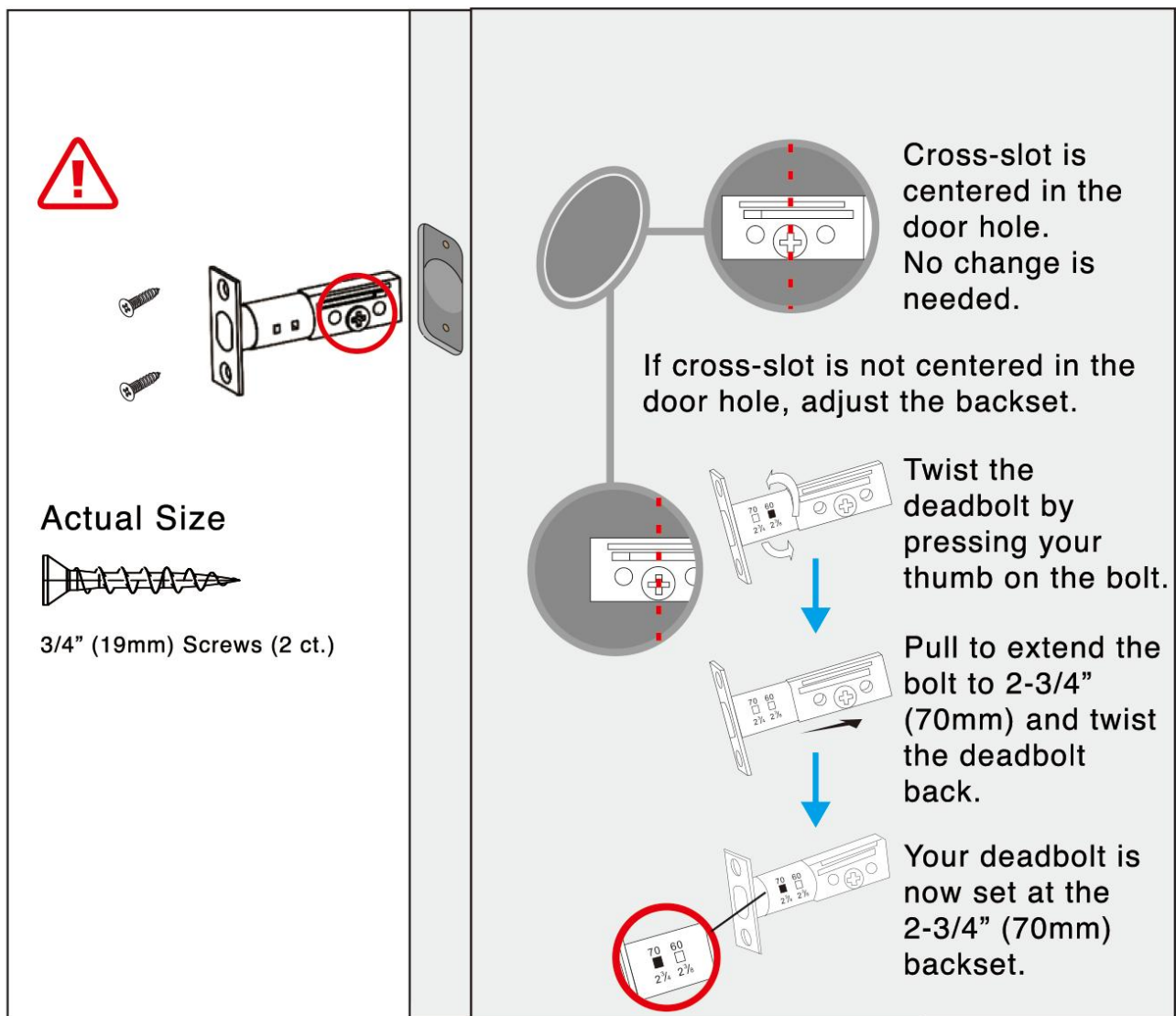
Tools required for installation on doors that require drilling:

- Drill
- Tape Measure
- Pencil
- 2-1/8" (54mm) Drill Hole Saw
- Chisel
- Hammer
- 1" (25mm) Drill
- 1/16" (2mm) Drill
- Phillips Screwdriver

Install the Deadbolt

Twist the latch and adjust the deadbolt length.

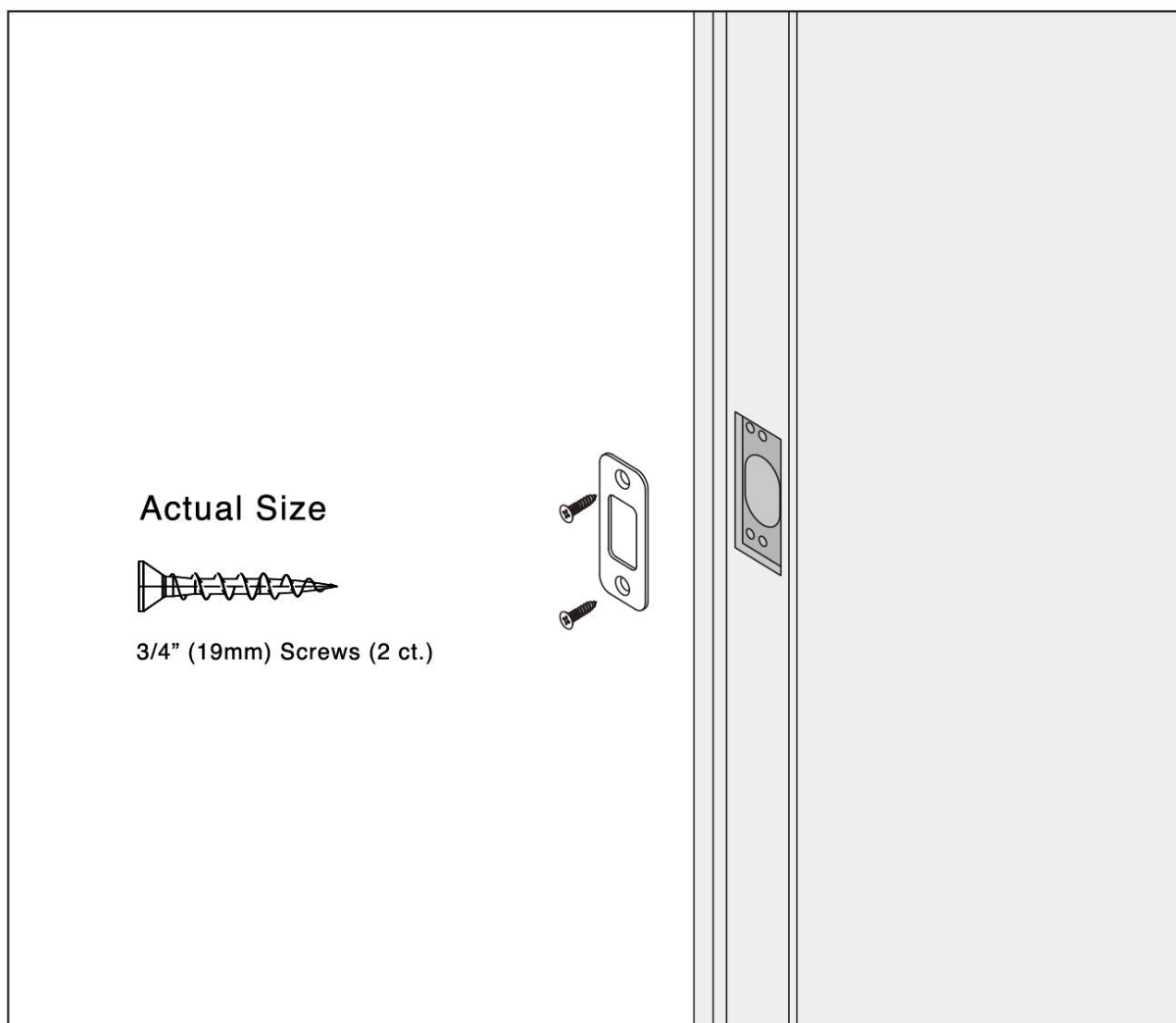
Make sure the cross-slot in the deadbolt is centered in the door hole. If cross-slot is not centered in the hole, adjust the backset.



Install the Strike Plate

Optional: Insert the strike box into the door frame before installing the strike plate.



Install the strike plate into the door frame.

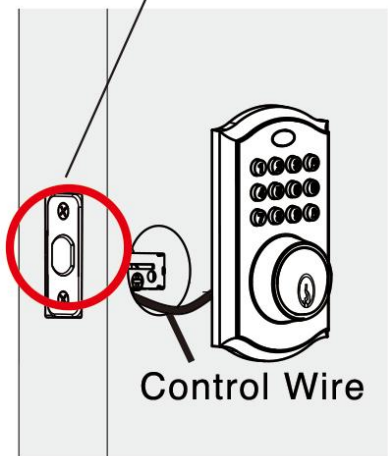


Install the Keypad Assembly

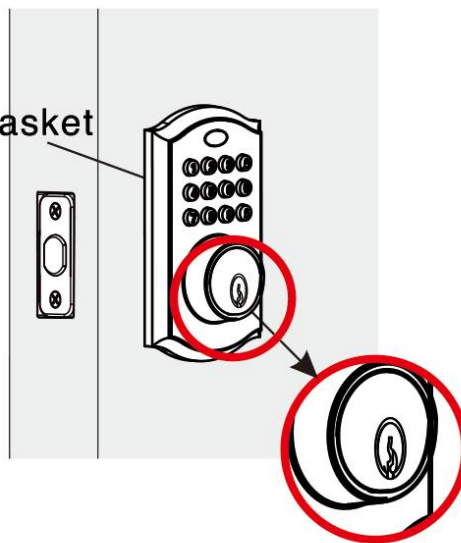
Route the control wire through the door **BELOW** the deadbolt.


Align the tailpiece as shown and push the keypad assembly onto the door.

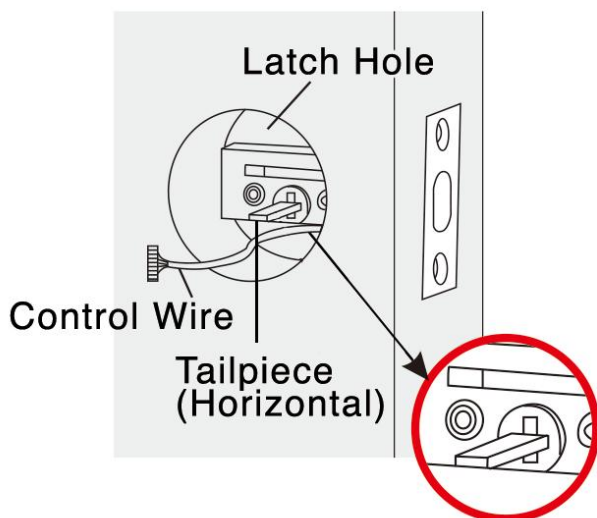
  Please keep the deadbolt retracted during installation.



Silicone Gasket



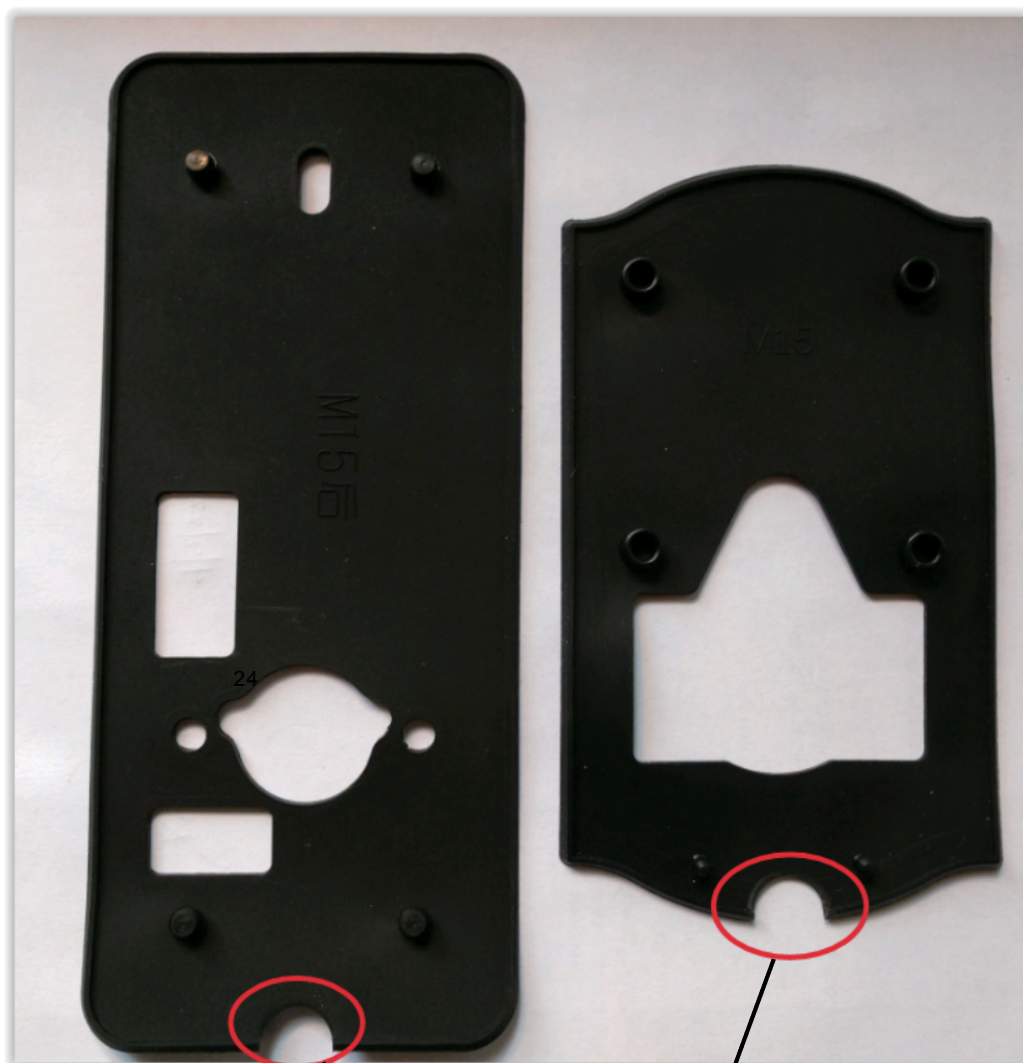
 Note: the key must be pulled out during installation.



 Align the tailpiece in the **HORIZONTAL** position.

Add Door Seals - Interior and Exterior

The revised interior and exterior door seals will be used in place of the seals that were shipped in the box. Note the small cut-out at the bottom of each door seal on the new seals.



Use the retrofit gasket

Install the Inside Mounting Plate

Route the control wire **BELOW** the deadbolt and through the door hole on the bottom of the mounting plate. Secure the mounting plate with screws. Hold the keypad assembly in position while tightening screws.

Actual Size



3/4" (19mm) Screw (1 ct.)



1-5/16" (33mm) Screws (2 ct.)

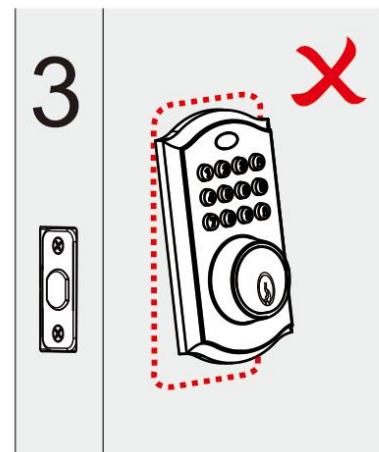
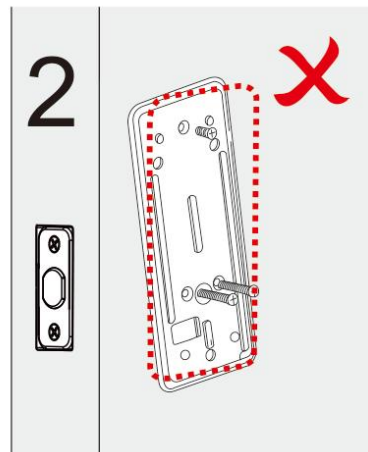
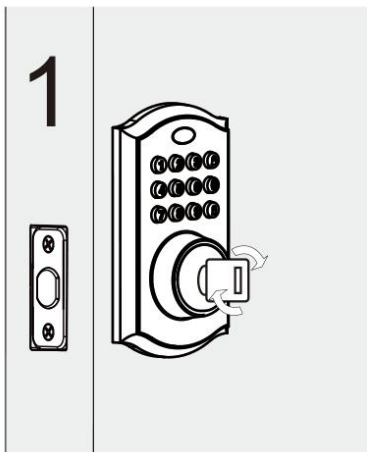
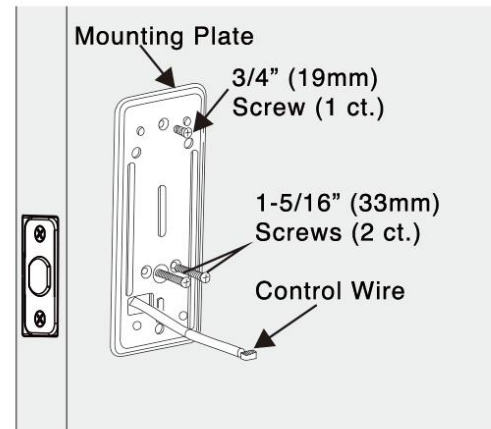
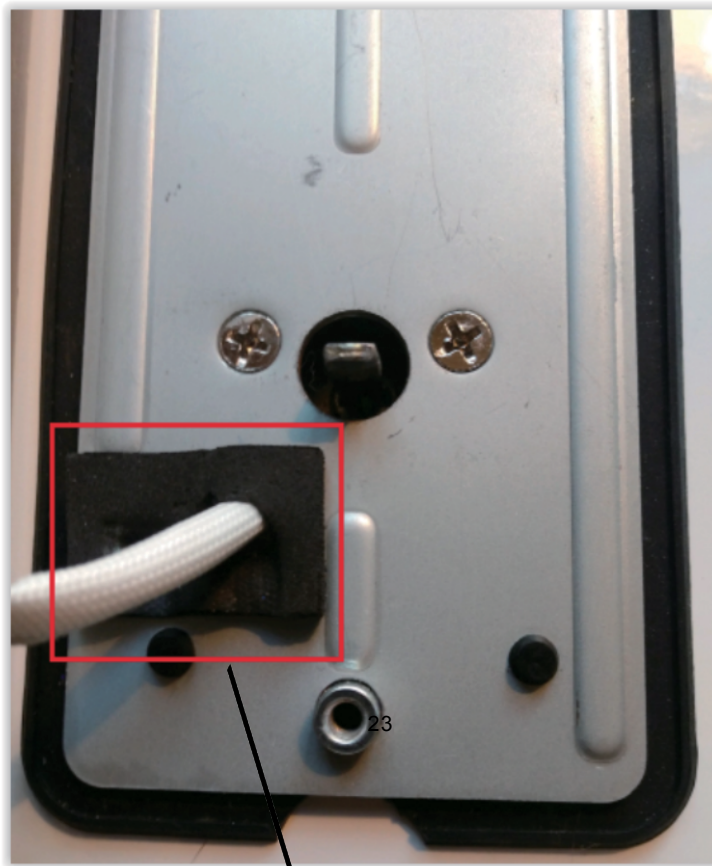


Fig. 1 Before tightening the mounting plate screws, lock and unlock the deadbolt with the key to ensure the deadbolt extends and retracts smoothly.

Fig. 2-3 Check to ensure the keypad assembly and mounting plate are vertically aligned.

Add Wire Pass-Through Seal to Mounting Plate

1. Install the mounting plate with the wire routed through to the inside of the door.
2. Push the wire harness connector through the hole in the foam seal.
3. Remove the adhesive liner.
4. Position the seal to cover the rectangular cut-out on the retainer plate.
5. Press the seal to fully cover the rectangular cut-out.



Wire Pass-Through Seal

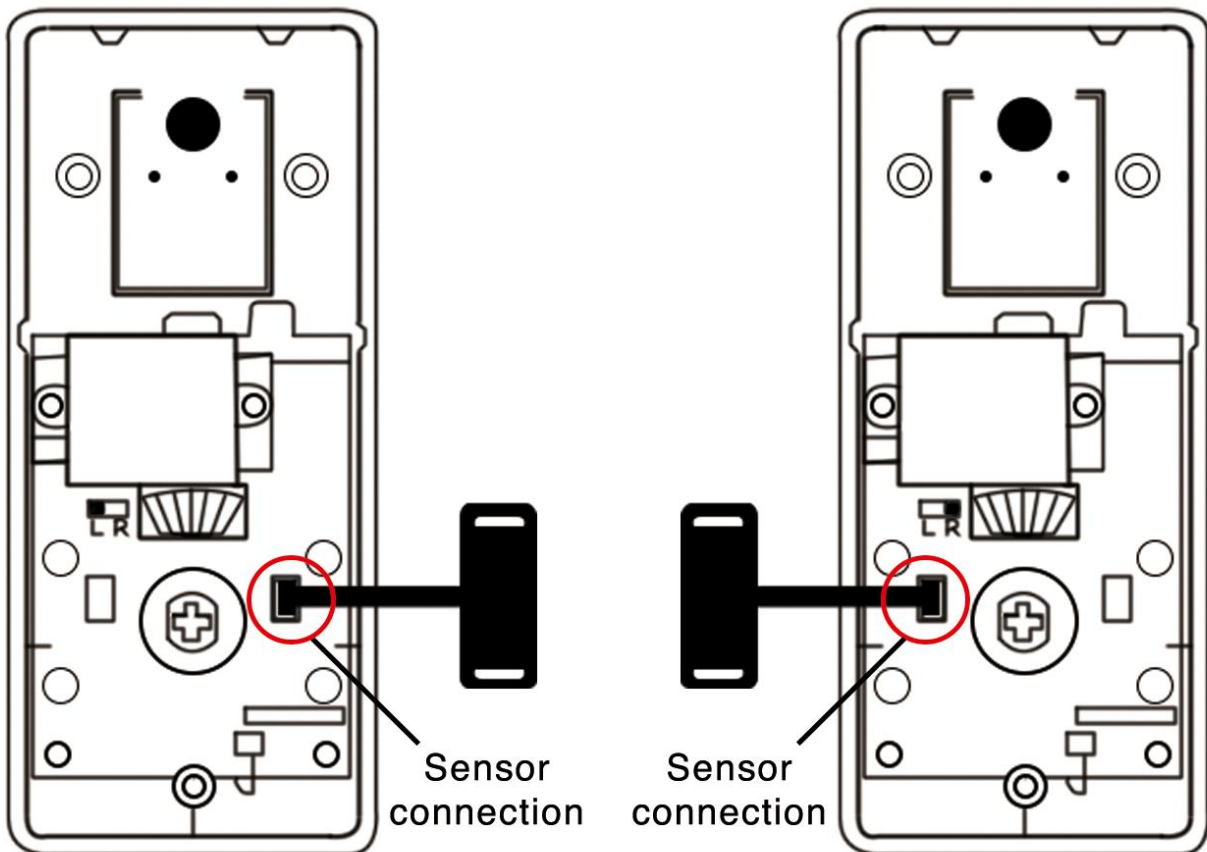
Connect the Door Sensor (Optional)

The Closed Door Sensor will detect when the door has been closed and will automatically lock. If the door is unlocked and not opened, the deadbolt will automatically lock after 30 seconds. These features are useful in ensuring the property is secure in case the person leaving forgets to lock the deadbolt.

Insert the ribbon cable gently into the slot until it is seated.

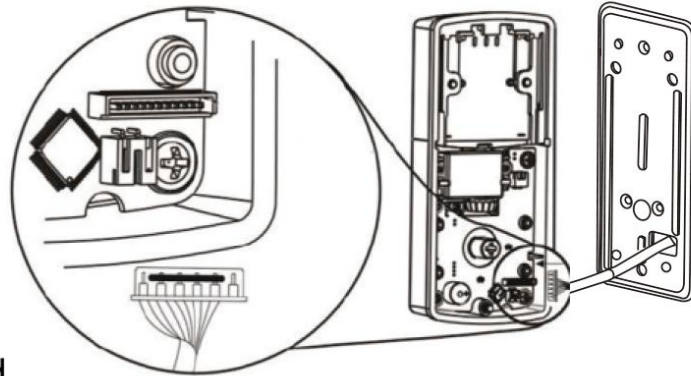
Left-Handed Door

Right-Handed Door



Connect the Cable

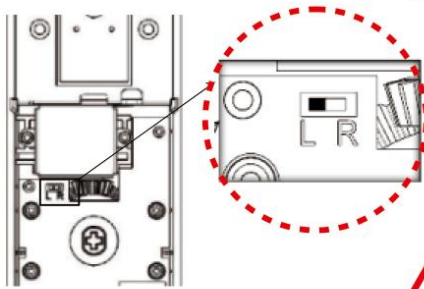
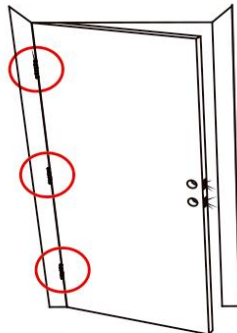
The connector fits only one way. The smooth side of the plug should be at the bottom of the connector.



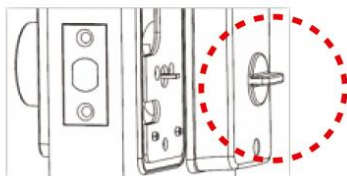
Adjust the interior knob and the entry switch for a left or right-handed door.

Left-Handed Door

When standing outside and facing the door, the hinges are on the left hand side for a left-handed door.



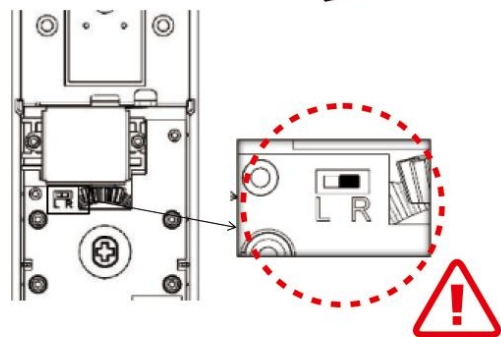
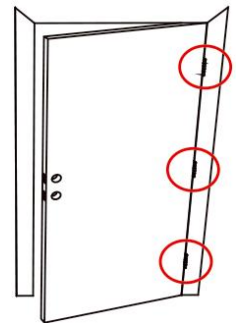
Switch in L position.



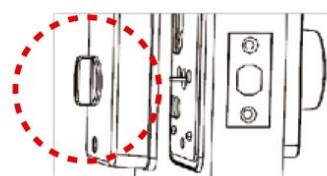
The interior knob should be in the **HORIZONTAL** position.

Right-Handed Door

When standing outside and facing the door, the hinges are on the right hand side for a right-handed door.

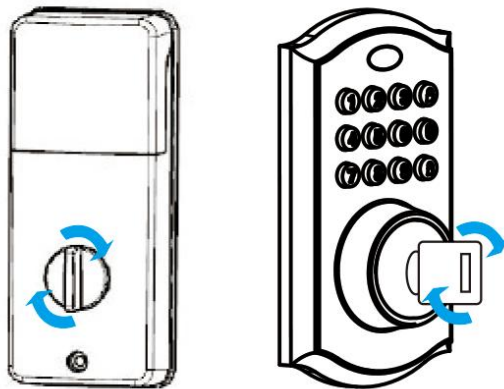
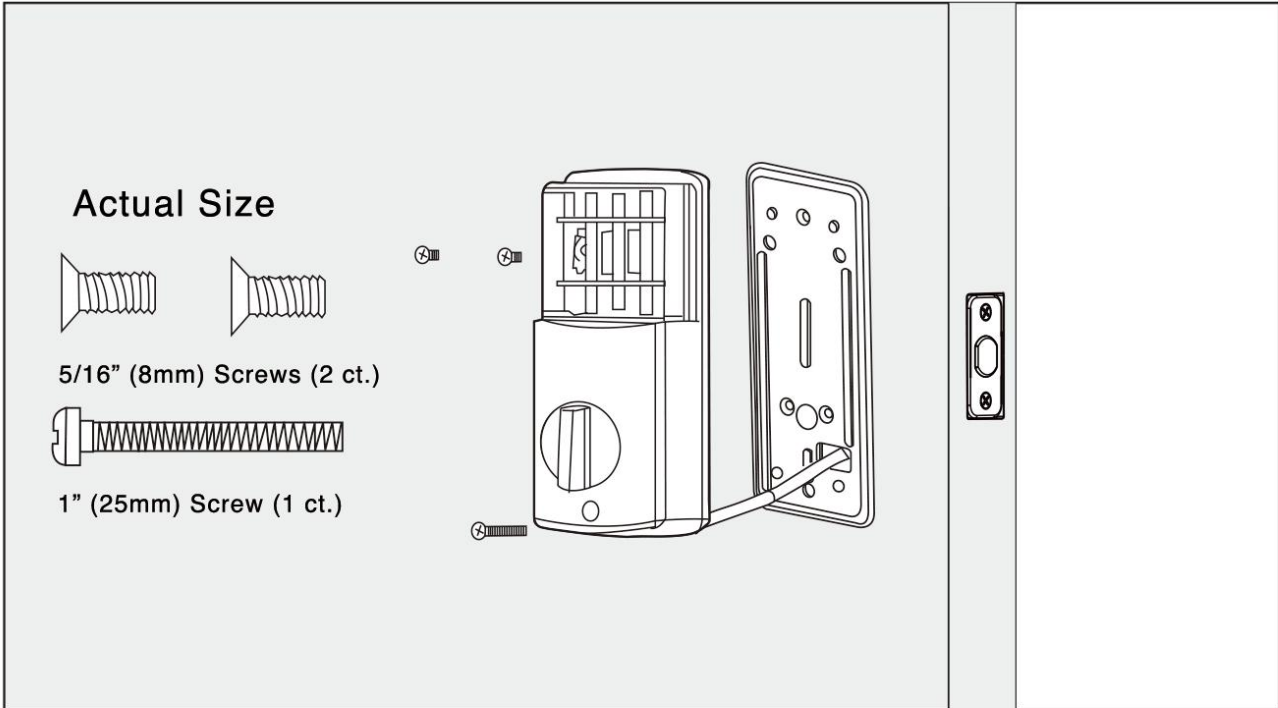


Switch in R position.



The interior knob should be in the **VERTICAL** position.

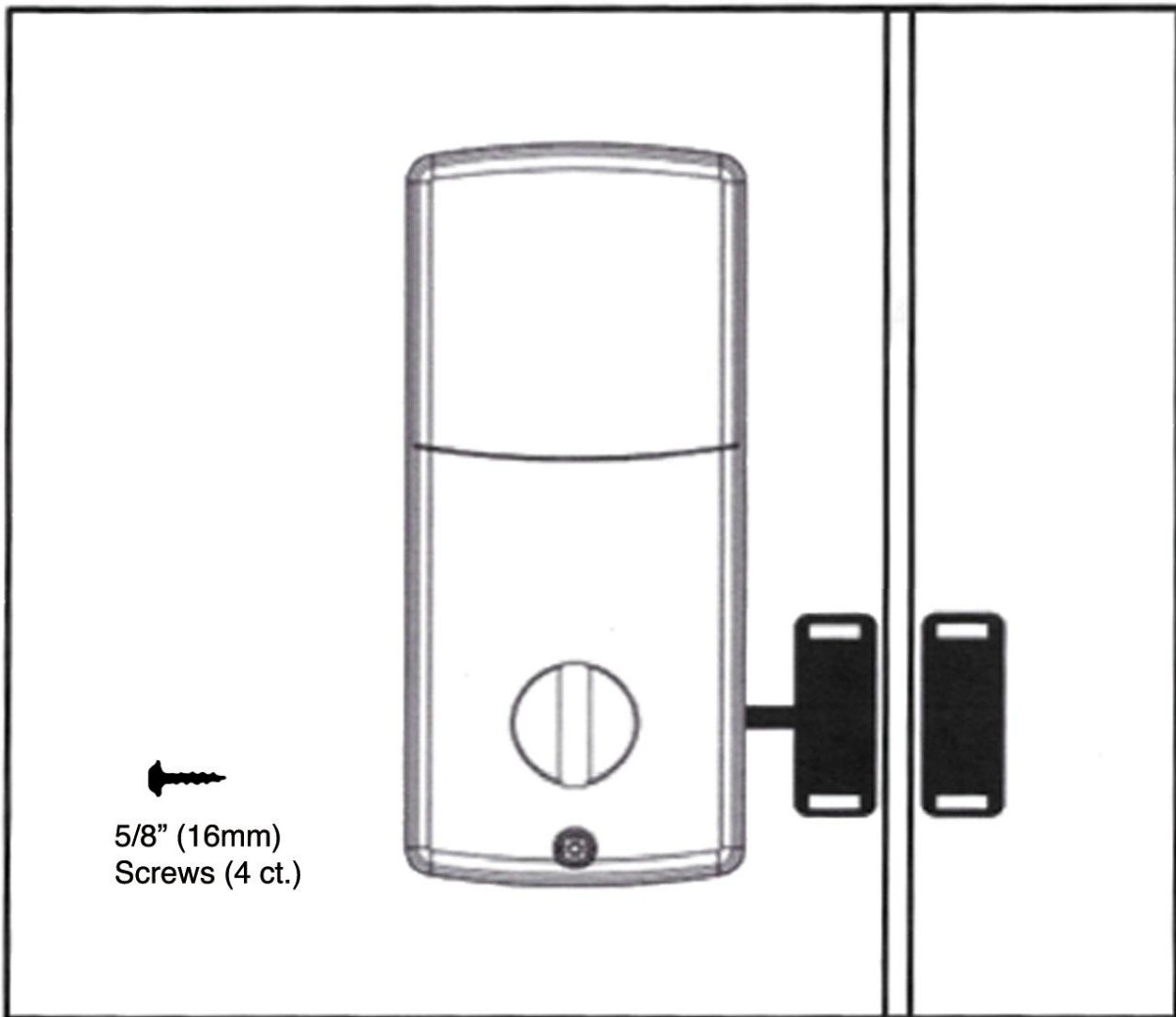
Install the Screws



Before tightening the final screws, lock and unlock the deadbolt with both the key and interior knob, to ensure the deadbolt extends and retracts smoothly. After testing, ensure the deadbolt is retracted and the key is removed.

Install the Door Sensors (Optional)

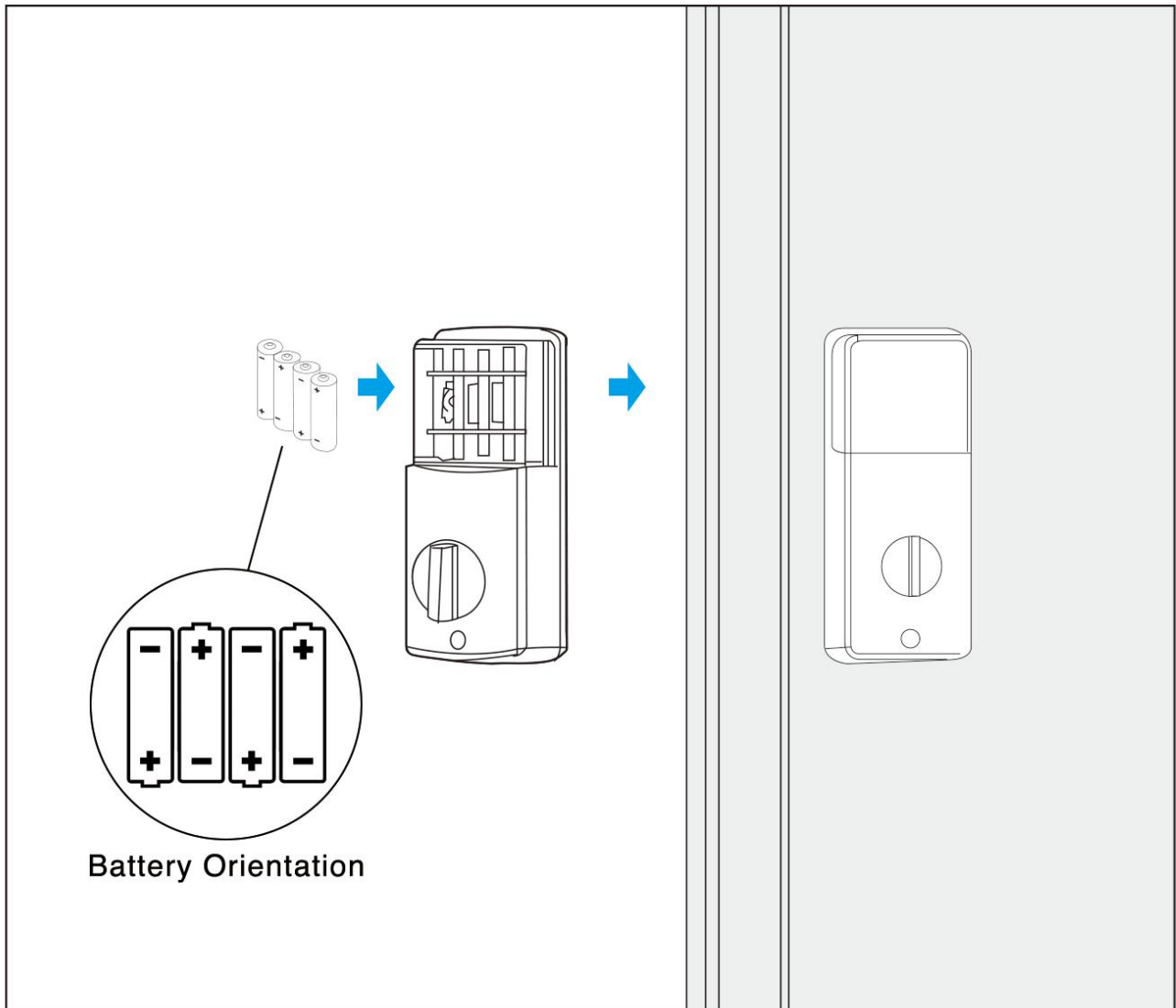
Position both sensors so that when the door is closed, the sensors are no further than 3/4 inch apart. Remove the adhesive backing from each sensor and affix to the door and door frame. Install two screws per sensor.



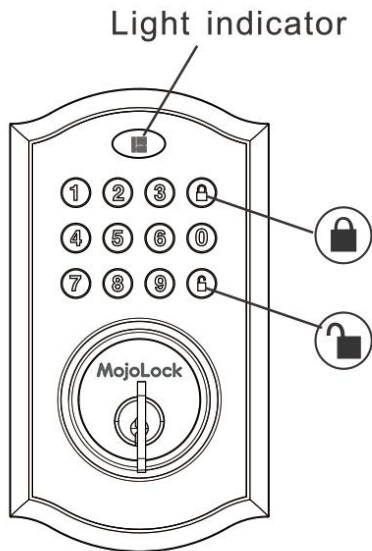
Install the Batteries

Install the batteries and cover.

NOTE: Do not use rechargeable batteries. Do not mix different types of batteries and do not mix old with new batteries. Be sure that batteries are installed in the correct orientation.



Operating Instructions



Green

- Indicates unlocking is successful.

Red

- Indicates locking is successful.
- Indicates error message during operation. See Audio and Visual Messaging Guide (page 17).

Lock Button

- Used to lock the door.


Unlock Button

- Used to unlock the door.

Batteries (not included)

MojoLock requires four high-quality AA alkaline batteries, or lithium batteries for longer life. When all four batteries are installed in the correct position, you will hear three beeps, and the keypad will illuminate white. **DO NOT TOUCH** the keypad until the keypad stops illuminating.

To Unlock

Using the keypad, enter a valid User Code (for example: 1-2-3-4-5-6) and press .

The device will respond with one beep and the LED will illuminate green.

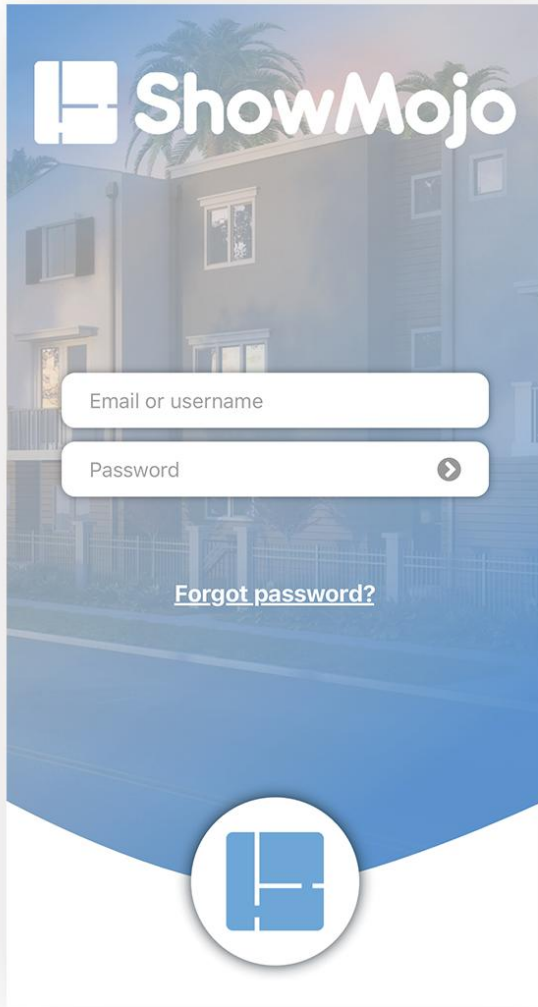
To Lock

Using the keypad, press .

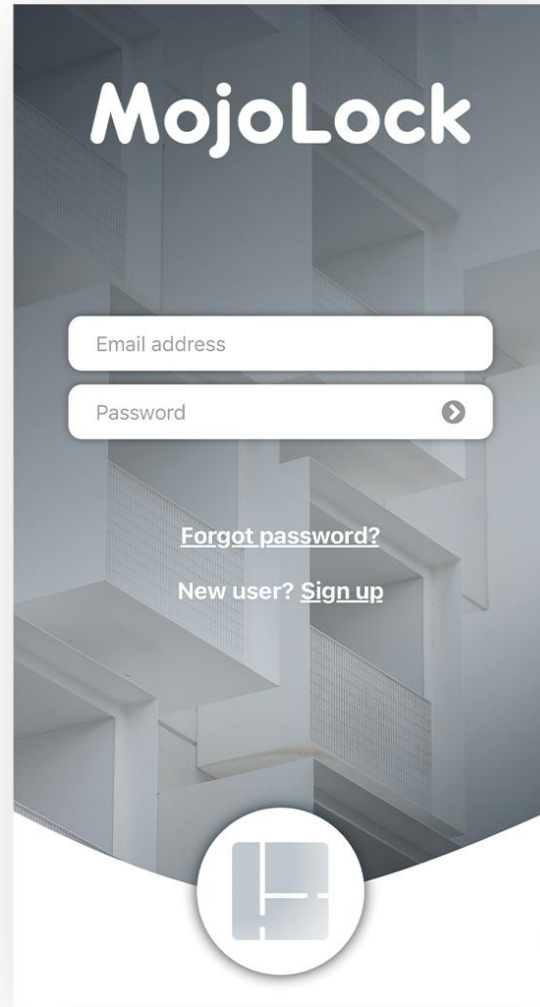
The device will respond with two beeps and the LED will illuminate red.

Mobile Apps

Once you have completed the installation of your MojoLock, please download your free mobile app from the Apple App Store or Google Play Store.



The **ShowMojo** mobile app is available for users with a ShowMojo account. You can control showings, smartlock access, and other functions. Use your current ShowMojo credentials to log into the ShowMojo app.



The **MojoLock** app is a stand-alone app for users who do not have a ShowMojo account and just want to control their smartlocks. Once you have downloaded the MojoLock app, click "Sign up" to create your new account.

Installation Troubleshooting

Issue	Solution
The lock is working in the opposite direction.	Entry switch may be set incorrectly. Remove the interior assembly and check the switch setting. See page 9. <ul style="list-style-type: none">• Check that the entry switch is in the correct setting for a left or right-handed door.• Ensure the interior knob is also in the correct position.• Reinstall interior assembly and retest.
The interior knob will not turn.	Interior knob tailpiece may be in the incorrect position. See page 9. <ul style="list-style-type: none">• Remove the interior assembly and reposition the knob.• With deadbolt retracted, reinsert the tailpiece.• Reinstall interior assembly and retest.
The lock has no electrical function. Keypad does not light.	<ul style="list-style-type: none">• Check all batteries to ensure they are new.• Check to ensure the batteries are installed correctly (+ / -).• Check to ensure the control wire is attached to the interior assembly. See page 9.
The lock sends an error signal when opening or locking and the deadbolt will not extend or retract properly.	Unlock the door using a key or the interior knob. While the door is open, check that the deadbolt operates smoothly. Check for proper alignment of the strike plate and adjust as needed to ensure there is no binding against the deadbolt.
The deadbolt is sticking.	Installation screws of the lock may be too tight. <ul style="list-style-type: none">• Remove the interior assembly.• Slightly loosen the mounting plate screws.• Lock and unlock using the key.• Reattach the control wire and interior assembly.

Audio and Visual Messaging Guide

Status	Message
Unlock Successful	One long beep and LED illuminates green.
Unlock Failed – invalid code	One long beep and LED illuminates red.
Lock Successful	Two short beeps and LED illuminates red.
Lock Failed	Three short beeps and LED flashes red three times.
Lock fails to re-lock after three attempts due to a restriction to the bolt.	Failure with door sensor auto-lock: <ul style="list-style-type: none">• 10 short beeps and LED flashes red 10 times. Failure with manual lock (lock button): <ul style="list-style-type: none">• 16 short beeps and LED flashes red 16 times.
Low Battery	Six short beeps and LED flashes red six times.
Super Low Battery	Four short beeps and LED flashes red four times.
Power On	Three short beeps and LED illuminates green.

NOTE: When the battery voltage falls below the Low Battery threshold, the lock will continue to operate. Once the battery voltage falls below the Super Low Battery threshold, the lock will no longer operate and the batteries must be replaced immediately.

Customer Support

For MojoLock customer support inquiries, go to:

<http://support.mojolock.com>



Operational Specifications

Operating temperature: -31°F (-35°C) to 140°F (60°C)

Water resistance rating: IP54*

* MojoLock meets IP54 standards, which is equivalent to exposure to rain. ShowMojo will not warranty MojoLocks that have been exposed to a high-pressure water stream, such as from a pressure washer.

Battery life (alkaline batteries): 12 months, based on 10 lock cycles per day.

Battery backup: Micro USB port.

Prepare Door and Jamb

1. Template

- Cut out the template printed on page 21 of this manual (Figure 1a).
- Fold the template and place on door 36" (915mm) above the floor as marked (Figure 1b).

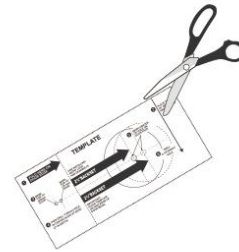


Figure 1a



Figure 1b

2. Mark the Door for Drilling

- Mark center hole on door edge using guidance on the template for 1" (25mm) deadbolt (Figure 2a).
- Mark center hole on door face using guidance on the template for 2-3/8" (60mm) or 2-3/4" (70mm) (Figure 2b) backset.



Figure 2a



Figure 2b

3. Drill and Chisel Door

- Drill 2-1/8" (54mm) hole through door panel as marked for the deadbolt (Figure 3a).
- Drill 1" (25mm) hole in the center of door edge for the deadbolt (Figure 3b).
- Insert the deadbolt in hole, keeping it parallel to the face of the door. Mark the outline and remove the deadbolt (Figure 3c).
- Chisel 5/32" (4mm) deep or until the deadbolt face is flush with the door edge (Figure 3d).

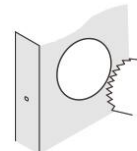


Figure 3a

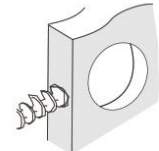


Figure 3b

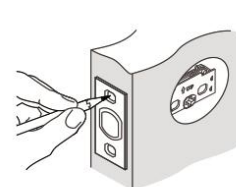


Figure 3c

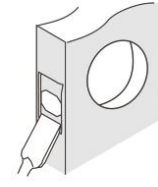


Figure 3d



NOTE: For a drive-in latch, drill the hole size as indicated on the template and press the latch until it is flush with the door edge.

4. Mark and Drill Door Jamb

- Mark center hole on the edge of the jamb, level with the center of the deadbolt on the door edge (Figure 4a).
- Drill 1" (25mm) hole 1-3/16" (30mm) deep in the door jamb on the center mark (Figure 4b).
- Outline the outside edges of the strike plate (Figure 4c).
- Chisel 5/32" (4mm) deep for the strike plate or until it is flush (Figure 4d).
- Install the strike plate using two 3/4" (9mm) screws provided (Figure 4e).

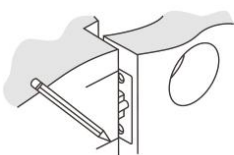


Figure 4a

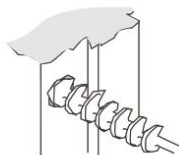


Figure 4b



Figure 4c

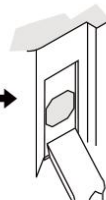


Figure 4d

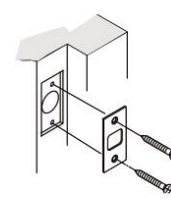


Figure 4e

TEMPLATE

1 FOLD HERE ON DOOR EDGE

3 MARK FOR 1-3/4" (45mm) DOOR
 MARK FOR 1-3/8" (35mm) DOOR

4 THEN DRILL 1" (25mm) HOLE IN CENTER OF DOOR EDGE 2" (50mm) IN DEPTH

FOR INSTALLING ENTRY LOCK AND DEADBOLT

FOR 2-3/8" (60mm) BACKSET

FOR 2-3/4" (70mm) BACKSET

IMPORTANT!
 PLACE TEMPLATE ON HIGH EDGE OF DOOR BEVEL

5 MARK CENTER OF HOLE ON DOOR FACE

6 DRILL 2-1/8" (54mm) HOLE

2 PLACE TOP OF TEMPLATE 36" (915mm) ABOVE FLOOR

